

GKF111-R Slidable Folding Door System

Door Width	Max. 450 mm
Door Height	Max. 2400 mm
Door Thickness	18-34 mm
Door Weight	Max. 10 kg/Door
Max. Overlay	23 mm
Aluminium Frame	Size : Door 30 x 60 mm, Frame 40 x 40 mm, Groove Width : 6 mm

※Please make or prepare door and aluminium frame within the range above.

Features

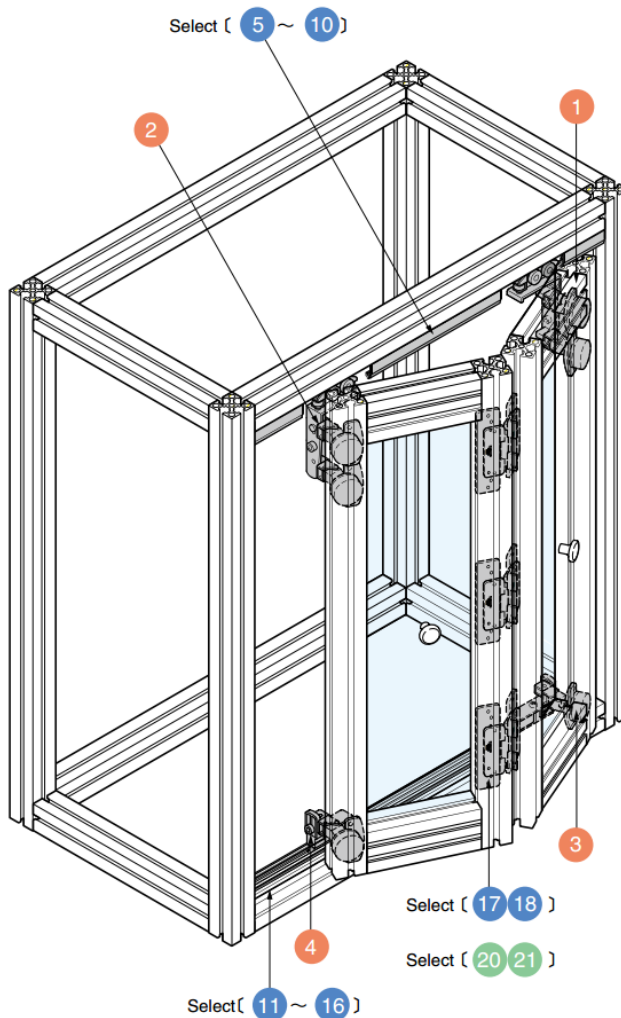
- Folded doors can slide for easy access
- Can fold door to the left or right side and then slide it
- Ball bearing used in upper roller achieves smooth opening and closing
- Centre hinge has catch to hold the door at closed position

Notes

- Opening and closing of overweight doors may become heavy, do not exceed 10kg for large doors
- Use GAS nuts and centre hinge brackets when installing to aluminium frame
- Aluminium frame not included



Can slide left and right when folded



※ Dimensions when installed to existing aluminium frame shown. For sheet metal installation, contact Gripwell for further assistance

Parts Set (Per Door)		Necessary Parts.
Set Name	Part No.	
Parts Set	GKF111RP	

Parts Included

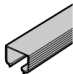
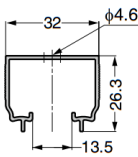
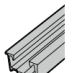
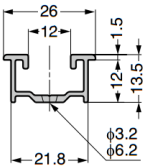
No.	Qty	Dimensions	Description
3	1 pc	<p>Bottom Guide (Right Type) + Special Hinge</p>	<p>GR111-T-R</p> <ul style="list-style-type: none"> Material Body: Zinc Alloy (ZDC) Guide: POM Hinge: Zinc Alloy (ZDC) Finish Body: Nickel Guide: Natural Hinge: Nickel
		<p>Bottom Guide (Left Type) + Special Hinge</p>	

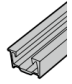
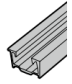
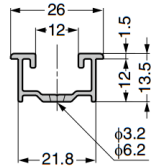
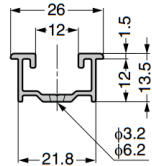
No.	Qty	Dimensions	Description
1	1 pc	<p>Upper Roller (Right Type) + Special Hinge</p>	<p>GR111-S-R</p> <ul style="list-style-type: none"> Material Roller: POM (With Bearing) Bracket: Steel Hinge Base: Zinc Alloy (ZDC) Hinge: Zinc Alloy (ZDC) Finish Plastic Parts: Natural Bracket: Nickel Hinge Base: Nickel Hinge: Nickel
		<p>Upper Roller (Left Type) + Special Hinge</p> <p>※Not included for left type.</p>	

Tracks Necessary Parts. Please specify necessary length, qty and finish of 5-10 based on cabinet width.


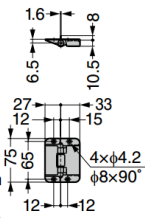
No.	Type	Part No.	Dimensions
5	Silver Length 910 mm	GFD111-910-SIL	Upper Track
	Silver Length 1220 mm	GFD111-1220-SIL	Upper Track
<ul style="list-style-type: none"> Material Aluminium Alloy Finish Anodised ※Convex R-shaped travel surface is effective for dust removing. 			<p>Pitch End 15 mm</p>


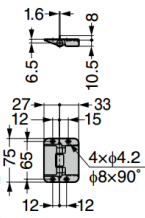
No.	Type	Part No.	Dimensions
7	Silver Length 1820 mm	GFD111-1820-SIL	Upper Track
	Bronze Length 910 mm	GFD111-910-GB	Upper Track
<ul style="list-style-type: none"> Material Aluminium Alloy Finish Anodised ※Convex R-shaped travel surface is effective for dust removing. 			<p>Pitch End 15 mm</p>

No.	Type	Part No.	Dimensions
9	Bronze Length 1220 mm	GFD111-1220-GB	Upper Track 
10	Bronze Length 1820 mm	GFD111-1820-GB	 Pitch End 15 mm
<ul style="list-style-type: none"> Material Aluminium Alloy Finish Anodised ※Convex R-shaped travel surface is effective for dust removing. 			
11	Silver Length 910 mm	GFD2612-910-SIL	Bottom Track 
12	Silver Length 1820 mm	GFD2612-1820-SIL	 Pitch End 25 mm
<ul style="list-style-type: none"> Material Aluminium Alloy Finish Anodised 			


No.	Type	Part No.	Dimensions
13	Silver Length 2730 mm	GFD2612-2730-SIL	Bottom Track 
14	Bronze Length 910 mm	GFD2612-910-GB	
15	Bronze Length 1820 mm	GFD2612-1820-GB	
16	Bronze Length 2730 mm	GFD2612-2730-GB	
<ul style="list-style-type: none"> Material Aluminium Alloy Finish Anodised 			

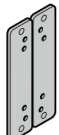
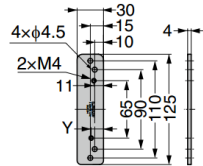
Centre Hinge Necessary Parts. Please specify necessary finish and qty of 17 18 based on door size and qty.

No.	Type	Part No.	Dimensions
17	Nickel	GCH-75-NI	Centre Hinge  <ul style="list-style-type: none"> Material Zinc Alloy (ZDC) / POM <p>[Qty for 2 Doors] Door Height 1600 mm or Less: 3 pcs Door Height 2400 mm or Less: 4 pcs</p> 

No.	Type	Part No.	Dimensions
18	Bronze	GCH-75-GB	Centre Hinge  <ul style="list-style-type: none"> Material Zinc Alloy (ZDC) / POM <p>[Qty for 2 Doors] Door Height 1600 mm or Less: 3 pcs Door Height 2400 mm or Less: 4 pcs</p> 

Optional Parts Please order according to application.

No.	Part No.	Dimensions
19	GAS-6M4	AS Nut (For Groove Width 6 mm)  <ul style="list-style-type: none"> Material Stainless Steel (SUS316) Finish Barrel Polished <p>[Application] For installing track to existing aluminium frame. AS nuts and M4 screws for rail mounting holes are required.</p> <p>[Necessary Qty] Door Height 1600 mm or Less: 12 pcs Door Height 2400 mm or Less: 16 pcs</p>

No.	Part No.	Dimensions
20	GAS-CH-75-A	Centre Hinge Bracket 
21	GAS-CH-75-B	 <ul style="list-style-type: none"> Material Stainless Steel (SUS430) Finish Barrel Polished <p>[Application] For installing centre hinge to existing aluminium frame.</p> <p>[Qty for 2 Doors] Door Height 1600 mm or Less: 3 pcs, 3 pcs Door Height 2400 mm or Less: 4 pcs, 4 pcs</p> <p>Y=14 (GAS-CH-75-A) Y=11 (GAS-CH-75-B) ※GAS-CH-75-A is marked with "R", and GAS-CH-75-B marked with "L".</p>